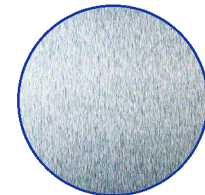
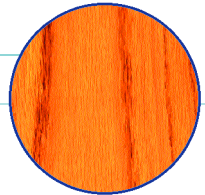
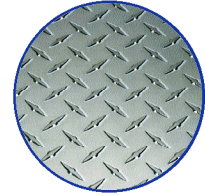
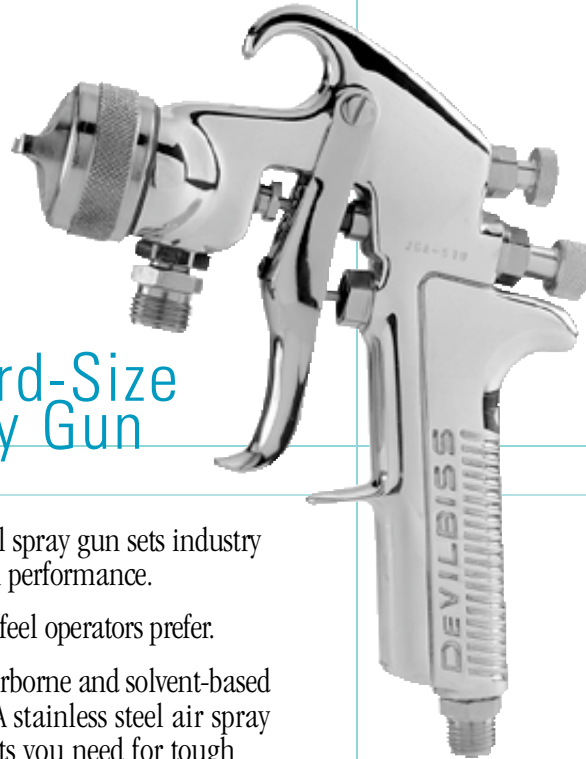




JGA Standard-Size Manual Spray Gun

JGA Standard-Size Manual Spray Gun



- The JGA standard-size manual spray gun sets industry standards for high-production performance.
- Offers the comfortable fit and feel operators prefer.
- An economical option for waterborne and solvent-based material applications, the JGA stainless steel air spray gun delivers the quality results you need for tough applications.
- 300-grade stainless steel fluid passages offer waterborne compatibility, corrosion resistance and protection from harsh self-etching primers.

Ordering Informations.

The JGA standard-size spray gun is available with the following air cap and fluid tip set-ups, factory-assembled for immediate delivery. These are only the most popular set-ups.

These guns with fluid tip and needle can be ordered without air cap and retaining ring.

Part No.		Part No.	
JGA-510-30EX	JGA-510-765E	JGA-510-D	JGA-510-FF
JGA-510-64HDD	JGA-510-765FF	JGA-510-E	JGA-510-FW
JGA-510-704E	JGA-510-765FX	JGA-510-EX	JGA-510-FX
JGA-510-704FF	JGA-510-797FF		
JGA-510-704EX	JGA-510-80EX		
	JGA-510-797FX		

Technical Specifications:

Bty: Drop forged aluminum
 Weight: 21.6 oz. (613 gr) with air cap and ring
 Air Inlet: 100 psi (7 bar) max, 1/4" NPS (M)
 Fluid Inlet: 150 psi (10 bar) max, 3/8" NPS (M)
 Fluid Passages: 300-grade stainless steel
 Feed Type: Pressure feed
 (Material Supply) Suction feed (EX)
 Service Bulletin: **SB-2-252**
 Gun Repair Kit: **KK-4987-2**

JGA Standard-Size Manual Spray Gun

Accessories

- Hose assemblies, air control, pressure tanks, cups, gun and hose cleaning equipment and other accessories are also available.

Chart 1 Fluid Tip (Nozzle), Air Cap and Needle Combinations

Air Cap Sizes Order From Chart 2	Fluid Tip and Needle Size Order From Chart 3								
	AC	D	E	EE	EX	FF	FX	FW	GX
Tip Orifice in./mm	.110 2.8	.086 2.2	.070 1.8	.070 1.8	.070 1.8	.055 1.4	.042 1.1	.063 1.6	.034 .9
24			P			P	P		
30			P		S	S	S	S	
58					S	P	P		P
62HD	P								
64HD		P							
67HD				P					
69HD		P							
80					S	S	S	S	
704			P			P	P		
765			P			P	P		
777			P			P			
797			P			P			
9000					S	S		S	S

P = Pressure Feed Combination
 S = Suction Feed Combinations

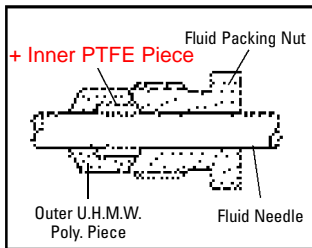
JGA Standard-Size Manual Spray Gun

Chart 2 Air Caps

No. on Cap Order →	Ref. No. (1) Air Cap With Ring	Ref. No. (3) Air Cap Less Ring
24		AV-40-24
30	MB-4039-30	
58	AV-439-58	
62HD	MB-4039-62HD	
64HD	MB-4039-64HD	
67HD	MB-4039-67HD	
69HD	MB-4039-69HD	
80	MB-4039-80	
704		AV-1239-704
765		AV-1239-765
777		31767-777
797		AV-1239-797
9000	AV-440-9000	

(3) Retaining ring required (MBC-368)

JGA Packing Assembly (18)



▲ Detail Ref. No 18 – Two piece packing
+ Tapered edge faces out towards packing nut.

Parts List

Ref. No.	Model No.	Description	Ind. Parts Required
1	See Chart 2	Air Cap/Retaining Ring	1
2	MBC-368	Retaining Ring	1
3	See Chart 2	Air Cap Less Retaining Ring	1
4	See Chart 3	Fluid Tip	1
*5	GTI-33-K5	Seal Kit (Kit of 5)	1
6	GTI-425	Baffle Assembly	1
7	MSV-3-K10	Fluid Inlet Gasket (Kit of 10) PTFE (blue)	1
8	---	Lock Nut	1
10	JGA-4044	Fluid Inlet and Nut Kit	1
*11	JGS-72-K10	Gasket Kit (Kit of 10) PTFE	2
*12	MBD-12-K25	Spring Kit (Kit of 25)	1
*13	JGS-431-K25	Air Valve Kit (Kit of 25)	1
*14	JGS-26-K25	U Cup Seal Kit (Kit of 25)	1
*15	JGA-15-K25	Washer Kit (Kit of 25)	1
*16	JGA-14-K25	Snap Ring Kit (Kit of 25)	1
17	JGS-449-1	Air Valve Assembly	1
*18	JGV-463-K3	Packing Kit (Kit of 3)	1
19	34411-122-K10	Packing Nut Kit (Kit of 10)	1
21	JGS-478	Stud and Screw Kit (Kit includes 3 studs and 5 screws)	1
22	JGS-477-1	Trigger, Stud and Screw Kit (Kit includes 1 each)	1
23	JGA-132	Plug	1
24	P-MB-51	Nipple	1
25	JGA-497-1	Fan Adjustment Assembly	1
*27	SSG-8069-K25	O-Ring (Viton) (Kit of 25)	1
28	JGS-16	Adjusting Screw	1
*30	MBD-19-K10	Spring Kit (Kit of 10)	1
32	JGA-4041	Bushing, Spring Pad and Knob Kit	1
33	See Chart 3	Fluid Needle	1
#35	See Chart 3	Fluid Tip and Needle Set (Not shown)	1

* A quantity of necessary parts is included in Major Repair Kit **KK-4987-2** for complete gun repair and should be kept on hand for service convenience.
• A quantity of necessary parts is included in Minor Repair Kit **KK-5034** for gun repair.
Ref. No. 35 includes Ref. Nos. 4 and 33. AV-1 copper gasket also included but not used with JGA-510 gun.
Suffixes - K10 designates kits of multiple parts. (Example) JGS-72-K10 is a kit of 10 gaskets.

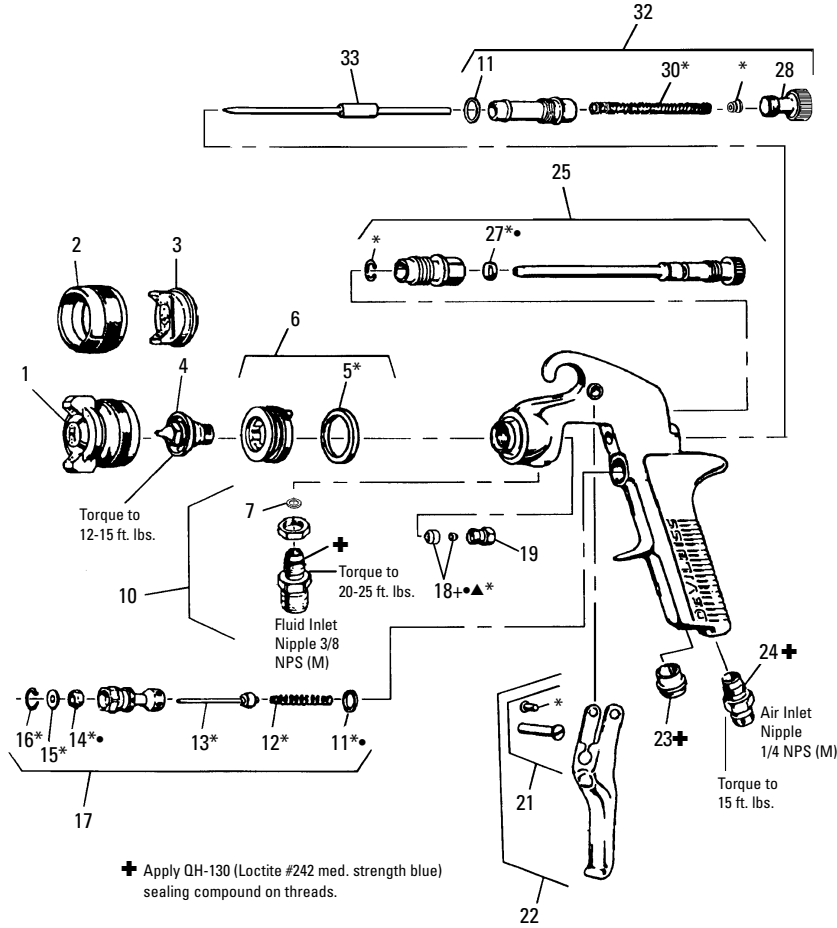


Chart 3 Fluid Tips (Nozzles) and Needles

Tip Orifice Size In. / (mm)	If this is No. on tip order →	Ref. No. 5 Fluid Tip & Gasket ¹	Ref. No. 33 Fluid Needle (No. on needle)	Ref. No. 36 Matched Tip & Needle Set ²
400 GR. S.S. TIPS & 303 GR. S.S. NEEDLES				
.110 (2.8)	AV-2115-AC	AV-650-AC	JGA-402-C	JGA-4040-AC
.086 (2.2)	AV-2115-D	AV-650-D	JGA-402-DEX	JGA-4040-D
.070 (1.8)	AV-2115-E	AV-650-E	JGA-402-E	JGA-4040-E
.070 (1.8)	AV-2115-EX	AV-650-EX	JGA-402-DEX	JGA-4040-EX
.055 (1.4)	AV-2115-FF	AV-650-FF	JGA-402-FF	JGA-4040-FF
.042 (1.1)	AV-2115-FX	AV-650-FX	JGA-402-FX	JGA-4040-FX
.063 (1.6)	AV-2115-FW	AV-650-FW	JGA-402-FF	JGA-4040-FW
.034 (.9)	AV-2115-GX	AV-650-GX	JGA-402-GX	JGA-4040-GX
OPTIONAL 300 GR. S.S. W/ U.H.M.W. POLYETHYLENE NEEDLE SEAT				
.086 (2.2)	AV-4915-D	---	---	JGA-4056-D
.070 (1.8)	AV-4915-E	---	---	JGA-4056-E
.055 (1.4)	AV-4915-FF	---	---	JGA-4056-FF
.042 (1.1)	AV-4915-FX	---	---	JGA-4056-FX
.028 (.8)	AV-4915-G	---	---	JGA-4056-G
OPTIONAL CARBOLOY TIPS & NEEDLES				
.086 (2.2)	AV-1415-D	AV-617-D	JGA-409-D	---
.070 (1.8)	AV-1415-EE	AV-617-EE	JGA-409-DEEE	---
.055 (1.4)	AV-1415-FF	AV-617-FF	JGA-409-FF	---

¹ AV-1 copper gasket included — DO NOT use with JGA-510 gun

² Matched tip & needle sets are recommended to assure leak-free operation



Industrial Finishing
Devilbiss
195 Internationale Blvd.
Glendale Heights, IL 60139
630-237-5000
Fax 630-237-5011
www.devilbiss.com



Customer Service 1.800.992.4657